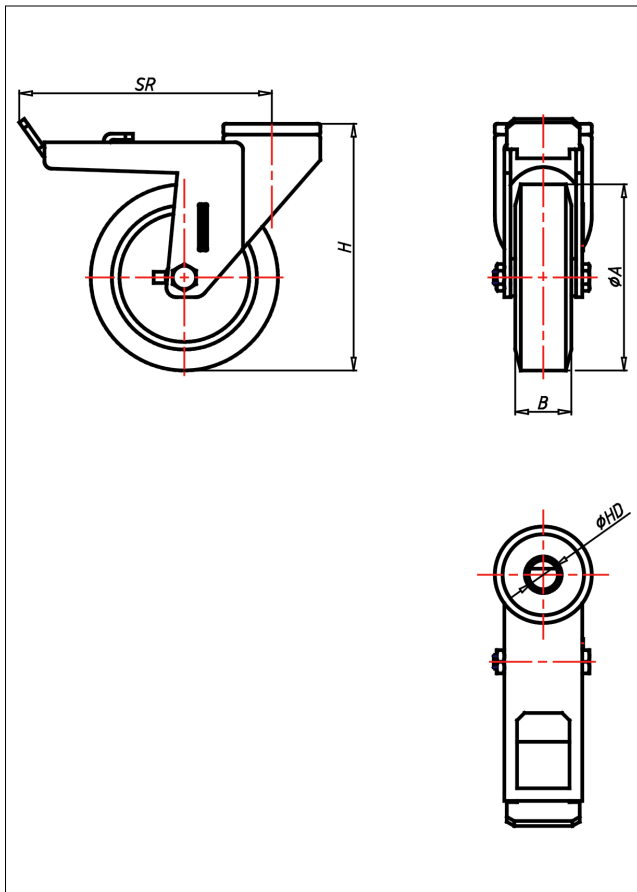
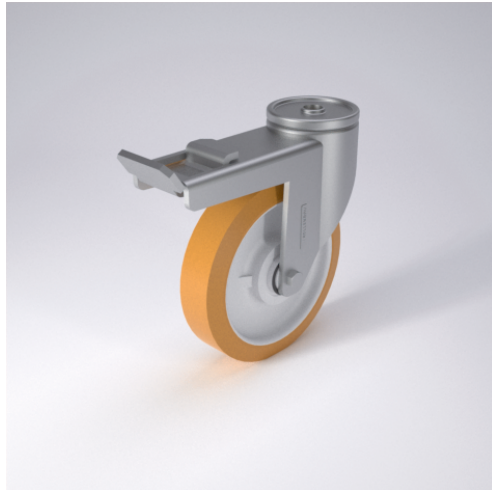




# CRT/CRST-A/AK/AB

## Lenkrolle mit Totalfeststeller



### CR-A



SWIVEL CASTOR	SWIVEL CASTOR WITH TOTAL LOCK																										
<ul style="list-style-type: none"> <li>• silent in motion</li> <li>• low rolling resistance</li> <li>• high abrasion and tear resistance</li> <li>• high resistance to shocks</li> <li>• easy to clean</li> <li>• good chemical resistance</li> </ul>	<p>Medium duty bolt hole castor, finish: electro-zinc plated, swivel fork with single bolt hole, <b>double ball bearing</b> - revited, <b>hardened steel balls</b>, wheel axle bolted, total lock</p> <p>→ page <a href="#">62</a></p>	<p>SELECTION CRITERIA:</p> <table border="0"> <tr> <td>swivels easily</td> <td><input type="checkbox"/></td> <td><input checked="" type="checkbox"/></td> <td><input type="checkbox"/></td> <td><input type="checkbox"/></td> </tr> <tr> <td>wear resistant</td> <td><input type="checkbox"/></td> <td><input checked="" type="checkbox"/></td> <td><input type="checkbox"/></td> <td><input type="checkbox"/></td> </tr> <tr> <td>shock proof</td> <td><input type="checkbox"/></td> <td><input checked="" type="checkbox"/></td> <td><input type="checkbox"/></td> <td><input type="checkbox"/></td> </tr> <tr> <td>floor protective</td> <td><input type="checkbox"/></td> <td><input checked="" type="checkbox"/></td> <td><input type="checkbox"/></td> <td><input type="checkbox"/></td> </tr> <tr> <td>weather proof</td> <td><input checked="" type="checkbox"/></td> <td><input type="checkbox"/></td> <td><input type="checkbox"/></td> <td><input type="checkbox"/></td> </tr> </table>	swivels easily	<input type="checkbox"/>	<input checked="" type="checkbox"/>	<input type="checkbox"/>	<input type="checkbox"/>	wear resistant	<input type="checkbox"/>	<input checked="" type="checkbox"/>	<input type="checkbox"/>	<input type="checkbox"/>	shock proof	<input type="checkbox"/>	<input checked="" type="checkbox"/>	<input type="checkbox"/>	<input type="checkbox"/>	floor protective	<input type="checkbox"/>	<input checked="" type="checkbox"/>	<input type="checkbox"/>	<input type="checkbox"/>	weather proof	<input checked="" type="checkbox"/>	<input type="checkbox"/>	<input type="checkbox"/>	<input type="checkbox"/>
swivels easily	<input type="checkbox"/>	<input checked="" type="checkbox"/>	<input type="checkbox"/>	<input type="checkbox"/>																							
wear resistant	<input type="checkbox"/>	<input checked="" type="checkbox"/>	<input type="checkbox"/>	<input type="checkbox"/>																							
shock proof	<input type="checkbox"/>	<input checked="" type="checkbox"/>	<input type="checkbox"/>	<input type="checkbox"/>																							
floor protective	<input type="checkbox"/>	<input checked="" type="checkbox"/>	<input type="checkbox"/>	<input type="checkbox"/>																							
weather proof	<input checked="" type="checkbox"/>	<input type="checkbox"/>	<input type="checkbox"/>	<input type="checkbox"/>																							
<p>Cast-polyurethane High quality nylon wheel centre → page <a href="#">252</a></p>																											

### Technische Details

<b>ORDERNO (Artikel-nummer)</b>	CRT 200 A
<b>WDAB (Rad-Ø A x Breite B / mm)</b>	200x50
<b>LC (Tragkraft / kg)</b>	300
<b>H (Bauhöhe H / mm)</b>	240
<b>HD (Loch-Ø / mm)</b>	12.5
<b>SR (Schwenkradius / mm)</b>	168
<b>WB (Radlager)</b>	Nylon-Gleitlager